

APPROVAL SHEET

WW25X

±1%, ±5%

Low ohmic power chip resistors

Size 2512

Customer : _____
Approval No : _____
Issue Date : _____

Customer Approval :



FEATURE

1. High power rating and compact size
2. High reliability and stability
3. Reduced size of final equipment
4. Lead free product is upon customer requested.

APPLICATION

- Power supply
- PDA
- Digital meter
- Computer
- Automotives
- Battery charger
- DC-DC power converter

DESCRIPTION

The resistors are constructed in a high grade ceramic body (aluminum oxide). Internal metal electrodes are added at each end and connected by a resistive paste that is applied to the top surface of the substrate. The composition of the paste is adjusted to give the approximate resistance required and the value is trimmed to nominated value within tolerance which controlled by laser trimming of this resistive layer.

The resistive layer is covered with a protective coat. Finally, the two external end terminations are added. For ease of soldering the outer layer of these end terminations is a Lead-tin alloy.

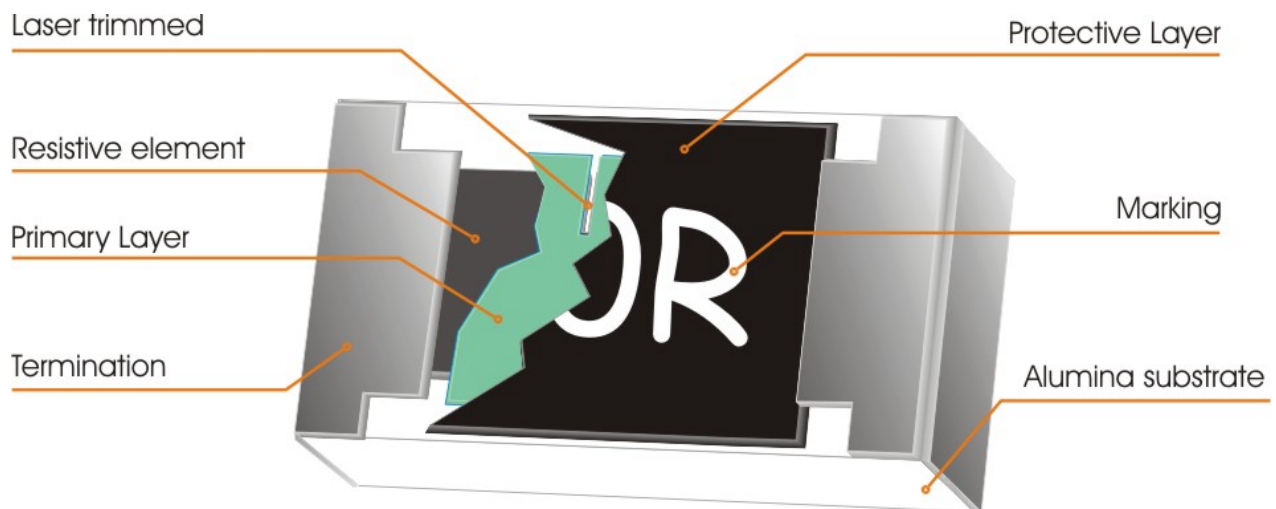


Fig 1. Construction of Chip-R

**QUICK REFERENCE DATA**

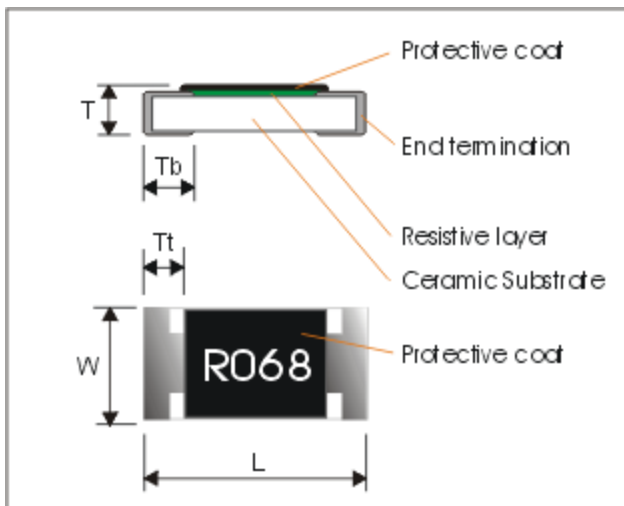
Item	General Specification	
Series No.	WW25X	
Size code	2512 (6432)	
Resistance Tolerance	±5%	±1%
Resistance Range	0.02Ω ~ 0.91Ω (E24)	0.02Ω ~ 0.976Ω (E24 +E96)
TCR (ppm/°C)	0.02Ω ≤ Rn < 0.05Ω	≤ 1500 ppm/°C
	0.05Ω ≤ Rn < 0.10Ω	≤ 1000 ppm/°C
	0.10Ω ≤ Rn < 0.50Ω	≤ 500 ppm/°C
	0.50Ω ≤ Rn < 1Ω	≤ 300 ppm/°C
Max. dissipation at T _{amb} =70°C	1 W	
Max. Operation Voltage (DC or RMS)	250V	
Climatic category (IEC 60068)	55/155/56	

Note :

1. This is the maximum voltage that may be continuously supplied to the resistor element, see “IEC publication 60115-8”
2. Max. Operation Voltage : So called RCWV (Rated Continuous Working Voltage) is determined by

$$RCWV = \sqrt{\text{Rated Power} \times \text{Resistance Value}} \text{ or Max. RCWV listed above, whichever is lower.}$$

3. Tolerance of TCR=±200ppm/°C

Mechanical Data

Symbol	Dimensions (mm)
L	6.40±0.20
W	3.20±0.20
T	0.60±0.10
Tt	0.65±0.25
Tb	0.90±0.25



Marking

Each resistor is marked with a four-digit code on the protective coating to designate the nominal resistance value.

Example:

$$R010 = 0.01\Omega$$

$$R510 = 0.51\Omega$$

FUNCTIONAL DESCRIPTION

Product characterization

Standard values of nominal resistance are taken from the E96 & E24 series for resistors with a tolerance of $\pm 5\%$ & $\pm 1\%$. The values of the E24/E96 series are in accordance with "IEC publication 60063".

Derating curve

The power that the resistor can dissipate depends on the operating temperature; see Fig.2

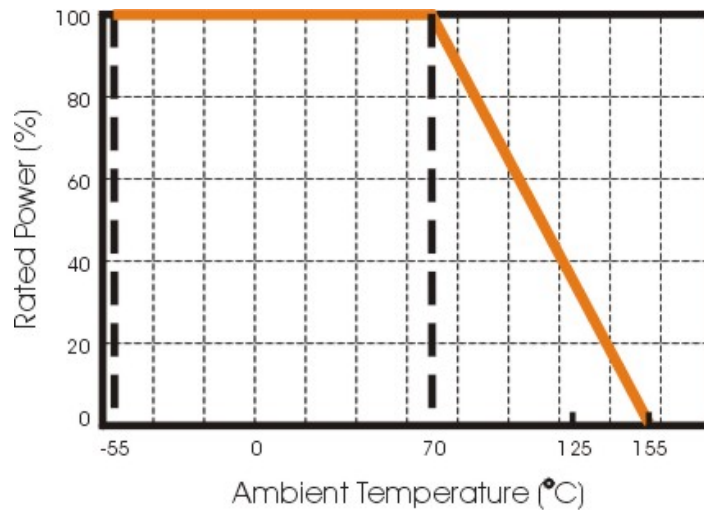


Fig.2 Maximum dissipation in percentage of rated power
As a function of the ambient temperature



MOUNTING

Due to their rectangular shapes and small tolerances, Surface Mountable Resistors are suitable for handling by automatic placement systems.

Chip placement can be on ceramic substrates and printed-circuit boards (PCBs).

Electrical connection to the circuit is by individual soldering condition.

The end terminations guarantee a reliable contact.

SOLDERING CONDITION

The robust construction of chip resistors allows them to be completely immersed in a solder bath of 260°C for one minute. Therefore, it is possible to mount Surface Mount Resistors on one side of a PCB and other discrete components on the reverse (mixed PCBs).

Surface Mount Resistors are tested for solderability at 230°C during 2 seconds. The test condition for no leaching is 260°C for 60 seconds. Typical examples of soldering processes that provide reliable joints without any damage are given in Fig 3.

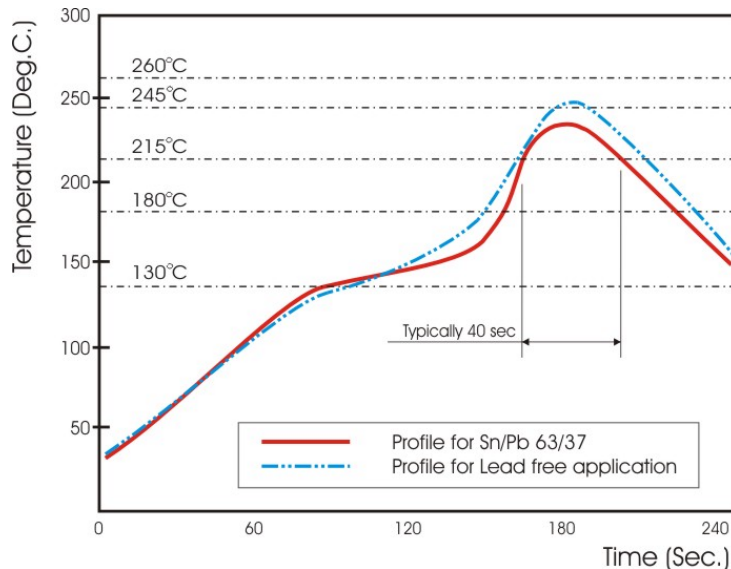


Fig 3. Infrared soldering profile for Chip Resistors WW25X

Catalogue numbers

The resistors have a catalogue number starting with .

WW25	X	R022	J	T	-
Size code	Type code	Resistance code	Tolerance	Packaging code	Termination code
WW25 : 2512 WW20 : 2010 WW18 : 1218	X : Normal	E96 +E24: R is first digit followed by 3 significant digits. 0.020Ω = R020 0.510Ω = R510 0.025Ω = R025	J : ±5% F : ±1%	T : Reeled	_ = SnPb base ("_" means a blank) L = Sn base (lead free)

**TEST AND REQUIREMENTS**

Essentially all tests are carried out according to the schedule of IEC publication 115-8, category **LCT/UCT/56**(rated temperature range : **Lower Category Temperature, Upper Category Temperature**; damp heat, long term, 56 days). The testing also meets the requirements specified by EIA, EIAJ and JIS.

The tests are carried out in accordance with IEC publication 68, "Recommended basic climatic and mechanical robustness testing procedure for electronic components" and under standard atmospheric conditions according to IEC 60068-1, subclause 5.3. Unless otherwise specified, the following value supplied :

Temperature: 15°C to 35°C.

Relative humidity: 45% to 75%.

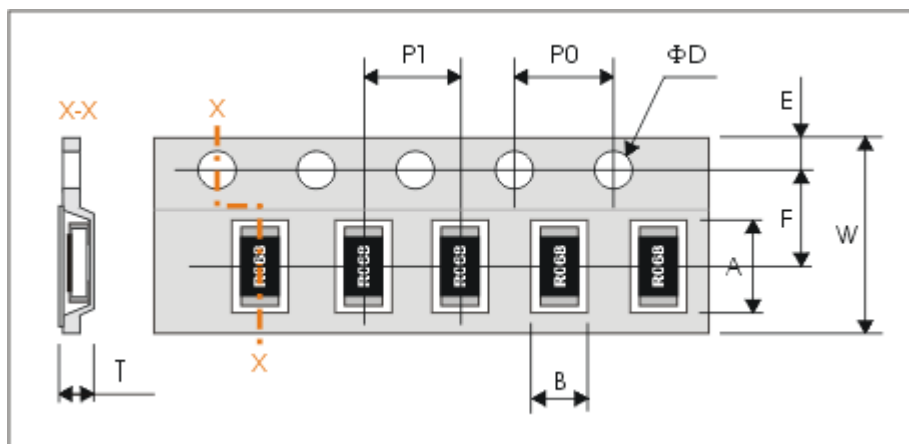
Air pressure: 86kPa to 106 kPa (860 mbar to 1060 mbar).

All soldering tests are performed with midly activated flux.

TEST	PROCEDURE	REQUIREMENT
Temperature Coefficient of Resistance (TCR)	Natural resistance change per change in degree centigrade. $\frac{R_2 - R_1}{R_1(t_2 - t_1)} \times 10^6 \text{ (ppm/}^\circ\text{C)}$ R ₁ : Resistance at reference temperature R ₂ : Resistance at test temperature t ₁ : 25°C	Test temperature -55 ~ +155°C 0.02Ω ≤ Rn < 0.05Ω ≤ 1500 ppm/°C 0.05Ω ≤ Rn < 0.10Ω ≤ 1000 ppm/°C 0.10Ω ≤ Rn < 0.05Ω ≤ 500 ppm/°C 0.05Ω ≤ Rn < 1Ω ≤ 300 ppm/°C Tolerance = ± 200 ppm/°C
Short time overload (STOL)	Permanent resistance change after a 5second application of a voltage 2.5 times RCWV or the maximum overload voltage specified in the above list, whichever is less.	ΔR/R max. ±(2%+0.005Ω)
Resistance to soldering heat	Unmounted chips 10±1 seconds, 270±5°C	no visible damage Δ R/R max. ±(1%+0.005Ω)
Solderability	Termination SnPb base : Unmounted chips completely immersed for 2±0.5 sec. in a solder bath at 230±5°C Termination Sn base (lead free) : Unmounted chip completely immersed in a lead free solder bath, 245°C±5°C, 3±1 sec	good tinning (>95% covered) no visible damage
Temperature cycling	1. 30 minutes at -55°C±3°C, 2. 2~3 minutes at room temperature, 3. 30 minutes at +155°C±3°C, 4. 2~3 minutes at room temperature, Total 5 continuous cycles	no visible damage ΔR/R max. ±(1%+0.005Ω)
Load life (endurance)	70±2°C, 1000 hours, loaded with RCWV or Vmax, 1.5 hours on and 0.5 hours off	ΔR/R max. ±(3%+0.005Ω)
Load life in Humidity	1000 hours, at rated continuous working voltage in humidity chamber controller at 40°C±2°C and 90~95% relative humidity, 1.5hours on and 0.5 hours off	ΔR/R max. ±(3%+0.005Ω)
Bending and Termination strength	Resistors mounted on a 90mm glass epoxy resin PCB(FR4); bending : 2 mm, once for 10 seconds Pulling test : 500grams	ΔR/R max. ±(1%+0.005Ω)

PACKAGING

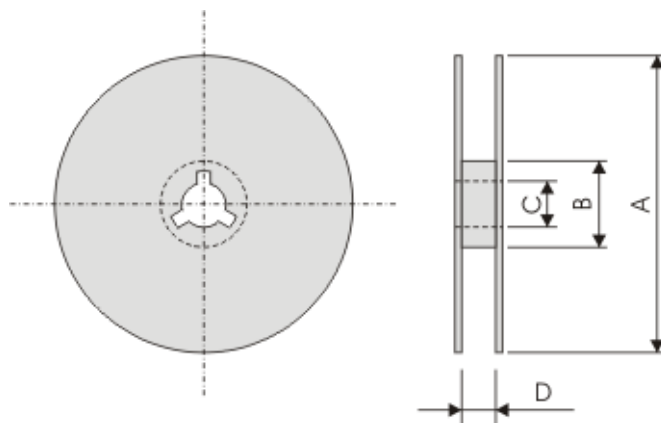
Plastic Tape specifications (unit :mm)



Symbol	A	B	W	F	E
Dimensions	6.90±0.20	3.60±0.20	12.00±0.30	5.50±0.1	1.75±0.10

Symbol	P1	P0	ΦD	T
Dimensions	4.00±0.10	4.00±0.10	Φ1.50 ^{+0.1} _{-0.0}	Max. 1.2

Reel dimensions



Symbol	A	B	C	D
(unit : mm)	Φ178.0±2.0	Φ60.0±1.0	13.0±0.2	14.0±0.2

Taping quantity

- Chip resistors 4,000 pcs per reel.